



Mavig Overhead Counterpoise System (OCS)



**For Bayer CT and Angiographic
MEDRAD® Injection Systems**

- Maneuverability
- Strength of a steel extension horizontal arm
- Precise injector head placement

Manufactured for Bayer.

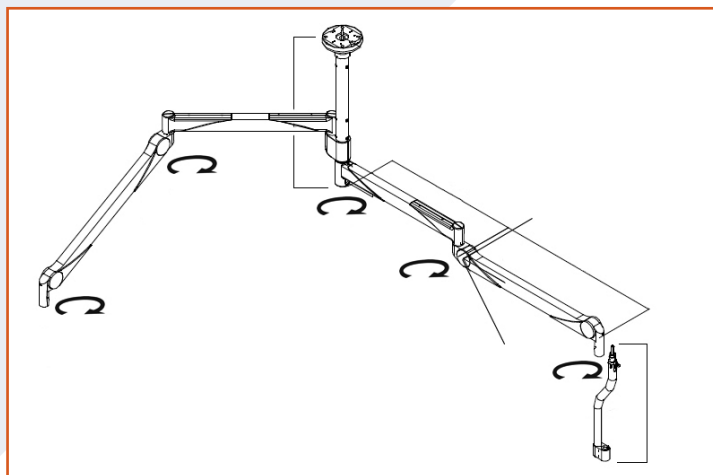
MEDRAD®
Injection Systems

The MAVIG Portegra2 Overhead Counterpoise System (OCS)

The MAVIG Overhead Counterpoise System provides 360-degree rotational mobility for MEDRAD® CT and Angiographic Injection Systems and gives you:

PORTEGRA2

- MAVIG-designed reliability
- Strength of a steel extension horizontal arm
- Smooth, precise, stable positioning of injector head and monitors
- User-friendly cable management

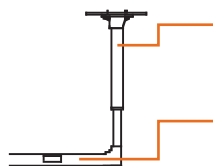


Manufactured for Bayer.



Why Choose the MAVIG Overhead Counterpoise System

- Maneuverability
- Precise injector head placement
- Convenience
- Space conservation
- Cable management



Specifications

Ceiling Mount:

Available in short 22.8" (580 mm); medium 33.5" (850 mm); long 39.4" (1000 mm). Floor to mounting plate height range of 9' (274.3 cm) to 11' (335.3 cm).

Horizontal Support Arm:
29.5" (74.9 cm), 35.8" (90.9 cm)

Power:
120/230 V, 16 Amps

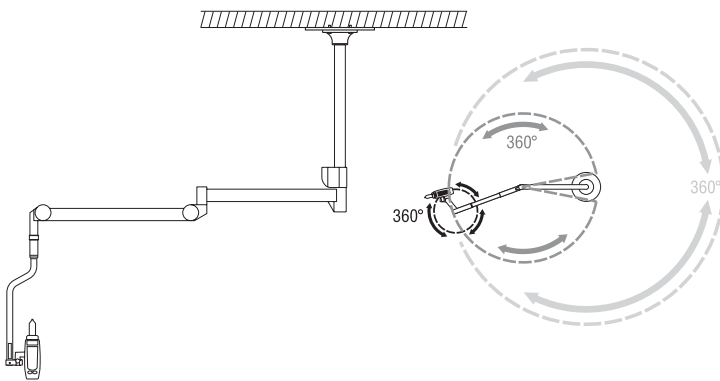
Load Capacity:
Maximum 40 lbs. (18 kg)

Certification:
VDE, CE, UL

Full Application Versatility

Compatibility For New Or Existing Sites

Choose from Ceiling Mounted, Mobile Ceiling Mounted with Trolley¹, or Wall Mounted configurations. Then select ceiling mount length to fit your site's height requirements.

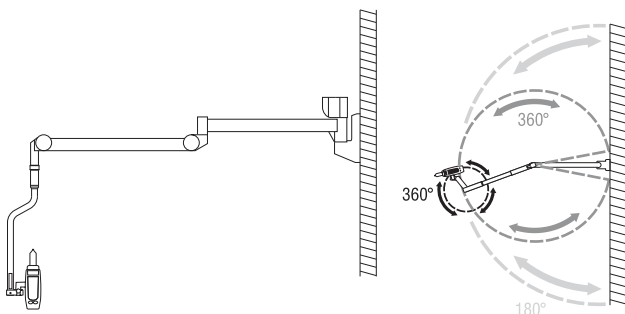
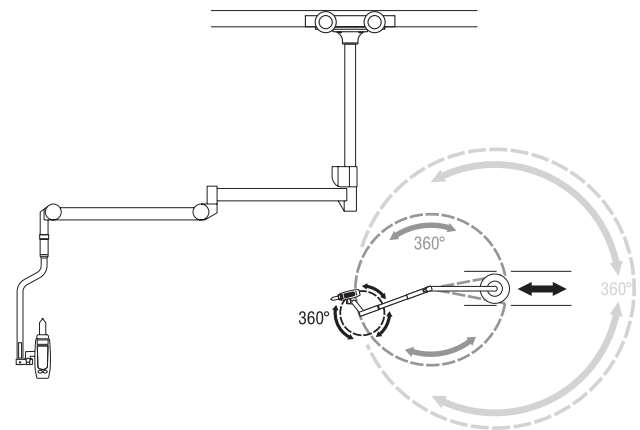


Ceiling Mounted Overhead Counterpoise System

- › Provides maximum 360-degree capability
- › Performs in front or rear of gantry
- › Allows removal of cables from floor
- › Provides 68.5" (174 cm) range of horizontal motion

Mobile Ceiling-Mounted Overhead Counterpoise System

- › Provides maximum 360-degree capability
- › Performs in front or rear of gantry
- › Allows removal of cables from floor
- › Provides 68.5" (174 cm) range of horizontal motion
- › Offers additional horizontal range with trolley system
(¹trolley track not included or sold by Bayer - only compatible with MAVIG Track System 335)



Wall Mounted Overhead Counterpoise System

- › Excellent alternative to crowded ceilings
- › Readily adapts to current installations
- › Flexible, ergonomic vertical arm
- › Provides 68.5" (174 cm) range of horizontal motion

In addition to providing freedom of operational motion, the MAVIG Overhead Counterpoise System is adaptable for installation in several configurations to meet the changing needs of planned or existing imaging suites.



MAVIG's Overhead Counterpoise System Specifications Ceiling Mounted Maneuverability

Manufactured for use with MEDRAD® CT and Angiographic Injection Systems.

System Catalog Information



Mobile Ceiling Mounted with Trolley¹



LCD Monitor Mounting Arm (Front)



LCD Monitor Mounting Arm (Rear)

Description	MEDRAD® Mark 7 Arterion Injection System	MEDRAD® Stellant FLEX Injection System
Ceiling Mount, 23.8" (580 mm) Column	OCS CEIL 58-P	OCS CEIL 58-S
Ceiling Mount, 33.5" (850 mm) Column	OCS CEIL 85-P	OCS CEIL 85-S
Ceiling Mount, 39.4" (1000 mm) Column	OCS CEIL 100-P	OCS CEIL 100-S
Track Mount, 23.8" (580 mm) Column	OCS TRACK 58-P	OCS TRACK 58-S
Track Mount, 31.5" (800 mm) Column	OCS TRACK 85-P	OCS TRACK 80-S
Wall Mount	OCS WALL-P	OCS WALL-S

Component Catalog Information	MAVIG No.	In.	Dimensions (Out-of-Box)		Weight (Out-of-Box)
			Cm.	Lbs.	Kgs.
Mount, Injector, J-Bow, Portegra2	GD4007-ME	32	81	6.6	3.0
Extension/Spring Arm, Portegra2	GD4050-ME	35	90	22.0	10.0
Ceiling Column, 39.4" (1000 mm) 360 degree, Portegra2	TS2020-ME	39	100	30.9	14.0
Ceiling Column, 33.5" (850 mm) 360 degree, Portegra2	TS2021-ME	33	85	26.5	12.0
Ceiling Column, 23.8" (580 mm) 360 degree, Portegra2	TS2023-ME	23	58	19.8	9.0
Trolley Mount, 31.5" (800 mm) 360 degree, Portegra2	TS2031-ME	31	80	38.6	17.5
Trolley Mount, 23.8" (580 mm) 360 degree, Portegra2	TS3032-ME	23	58	36.4	16.5
Ceiling Mounting Plate Portegra2	TS1522-ME	14.5 x 14.5	36.8 x 36.8	29.8	13.5
LCD Monitor, Mounting Arm (optional), Portegra2	GD4020-ME	17	44	3.7	1.7

Total Configuration Weight – OCS Systems with MEDRAD® Injection Systems

Description	Ceiling Mount						Trolley Mount				Wall Mount	
	Short		Medium		Long		Short		Long			
	Weight	Weight	Weight	Weight	Weight	Weight	Weight	Weight	Weight	Weight	Weight	
Component Catalog Information	Lbs.	Kgs.	Lbs.	Kgs.	Lbs.	Kgs.	Lbs.	Kgs.	Lbs.	Kgs.	Lbs.	Kgs.
MEDRAD® Stellant FLEX (weight 9.71 kg)	99.7	45.2	106.3	48.2	110.7	50.2	86.4	39.2	88.6	40.2	53.4	24.2
MEDRAD® Stellant D (weight 9.71 kg)	99.7	45.2	106.3	48.2	110.7	50.2	86.4	39.2	88.6	40.2	53.4	24.2
MEDRAD® Stellant Sx (weight 6.17 kg)	91.9	41.7	98.5	44.7	102.9	46.7	78.6	35.7	80.8	36.7	45.6	20.7
MEDRAD® Mark 7 Arterion (weight 8.16 kg)	96.23	43.64	102.83	46.64	107.33	48.64	83.03	37.64	85.23	38.64	49.93	22.64

¹ Trolley track not included or sold by Bayer - Only compatible with MAVIG Track System 335 ² The ceiling mount plate meets seismic standards per 2007 California Building Code, Section 1613A The ceiling mount plate should be mounted directly to the concrete ceiling or to Unistrut, or similar rails mounted to the concrete ceiling.

Bayer reserves the right to modify the specifications and features described herein or to discontinue any product or service identified in this publication at any time without prior notice or obligation. Please contact your authorized Bayer representative for the most current information.

Individuals, other than named individuals, depicted in this presentation are actors and not actual health care providers or patients.

Bayer, the Bayer Cross, MEDRAD, MEDRAD Stellant, MEDRAD Stellant FLEX, MEDRAD Mark 7 Arterion, MEDRAD EnVision, MEDRAD Vistron CT, MEDRAD Mark V ProVis, Stellant, Stellant FLEX, Mark 7 Arterion, Mark V ProVis, and EnVision are trademarks owned by and/or registered to Bayer in the U.S. and/or other countries. Other trademarks and company names mentioned herein are properties of their respective owners and are used herein solely for informational purposes. No relationship or endorsement should be inferred or implied.

© 2007-2022 Bayer. This material may not be reproduced, displayed, modified or distributed without the express prior written consent of Bayer.



Bayer HealthCare LLC
100 Bayer Boulevard
P.O. Box 915
Whippany, NJ 07981
U.S.A.
Phone: +1-412-767-2400
+1-800-633-7231
Fax: +1-412-767-4120



Manufacturer
Bayer Medical Care Inc.
1 Bayer Drive
Indianola, PA 15051-0780
U.S.A.
Phone: +1-412-767-2400
+1-800-633-7231
Fax: +1-412-767-4120

More information on
radiologysolutions.bayer.com